

# fastra.

...SPECIALIST ON SERVICE PIPELINE SYSTEMS

## Branch Tee HTT EFS2 PE

(PE d90 - PE d400)



# Branch Tee HTT EFS2 PE

Branch Tee HTT EFS2 from PE100 is special fitting intended for full-flow connection on pressure PE pipeline in the same dimension like is main route – for example from pipeline d110 on d110. After welding on network allows safe Hot Tapping without leakage media on operational pressure using the FASTRA COMPACT-F1 Hot Tapping device. A new branch of the network can then be easily connected without interrupting the flow of the medium. This innovative system FASTRA does not require special supportive or welding devices. In addition, you can use commonly available valves, or you can use squeezing tools.

Thanks to that is possible to carry out connection with minimum excavation work, without downtime and with maximum saving time. Branch is intended for pipelines with natural gas, water and other media. It is available in standard dimensions from d90 to d400.

You can choose from several endings' options: free end according to SDR, flanged version with flange collar, PE ball valve or gate valve.

## Main advantages:

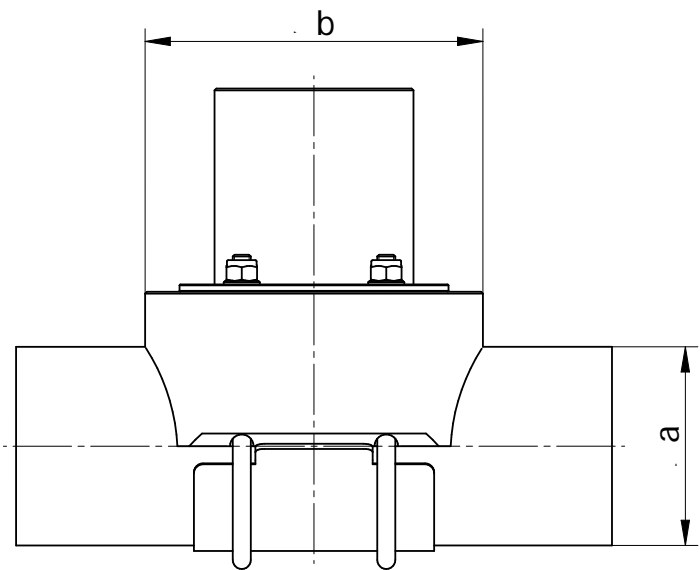
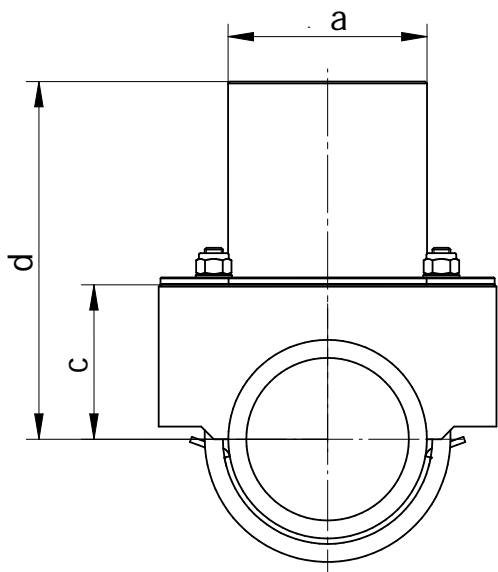
- Non-stop solution of connection – without the need to interrupt operation
- Minimum claims on space – saves time and cost of excavation
- Compatible with common welding equipment
- Fast assembly
- Drilling through standard valves
- Universal use for gas, water and other media
- Based on proven FASTRA Linestop fittings technology



Technical parameters	
Pipeline material:	PE80, PE100, PE100 RC
Medium:	gas, water, other after consultation with producer
Nominal pressure:	Water - up to 16 bar
	Gas - up to 10 bar
Working temperature:	+ 5 °C až + 45 °C

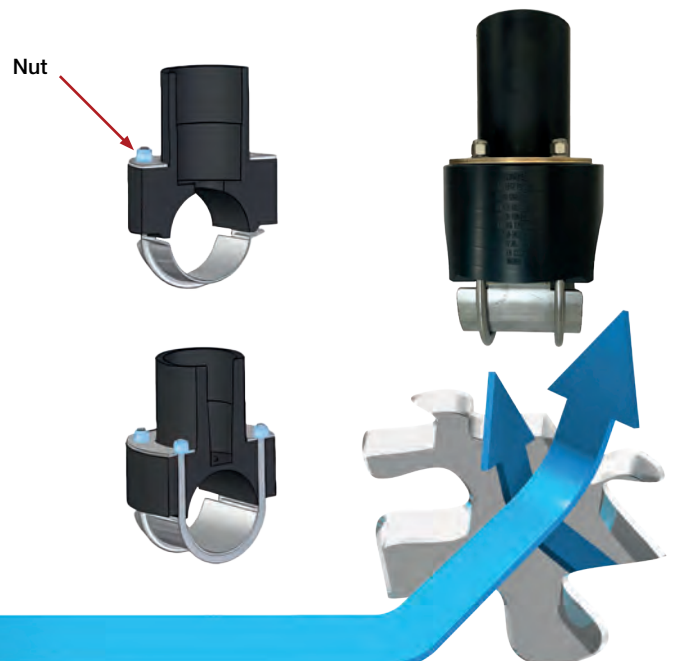
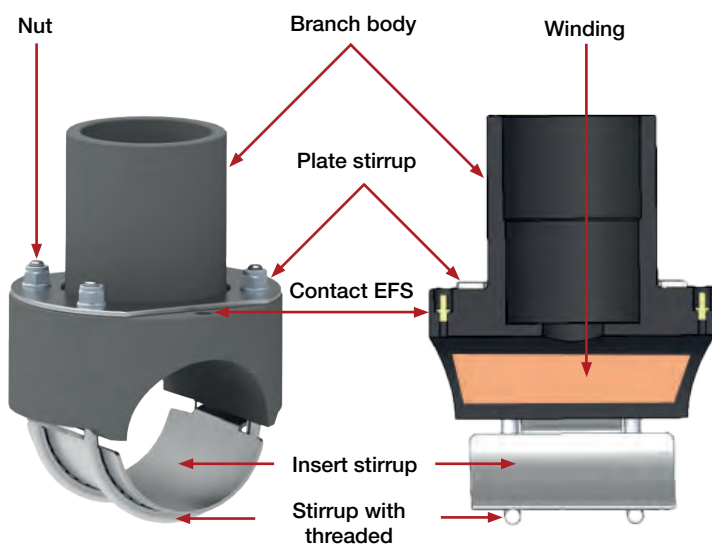


# Technical parameters



	a [mm]	b [mm]	c [mm]	d [mm]
PE d90-90	90	163	72,5	182
PE d110-110	110	187	85,5	198
PE d125-125	125	210	93,5	213
PE d140-140 *	-	-	-	-
PE d160-160	160	250	116,5	248
PE d180-180	180	290	127	267
PE d200-200	200	320	139,5	291
PE d225-225	225	340	153,5	315
PE d250-250	250	390	170	341,5
PE d280-280	280	410	186,5	371
PE d315-315	315	460	203,5	408
PE d355-355 *	-	-	-	-
PE d400-400	400	500	237	492

\*on request



# Ask us about our news in assortment

ANTISTATIC AND OIL-RESISTANT  
PLATE PLUGS



NEW SPECIAL  
CLOSING BALLOONS



ANTISTATIC  
SEALING BAGS



## CONTACT DETAILS

FASTRA, s.r.o  
Libenice 30 – Skalka, 280 02 Kolín  
mobile: +420 603 528 387  
e-mail: info@fastra.cz  
website: www.fastra.cz



ISO 9001:2015

LL-C (Certification)



### OUR PARTNERS



### SALES OFFICES OUTSIDE THE CZECH REPUBLIC:

